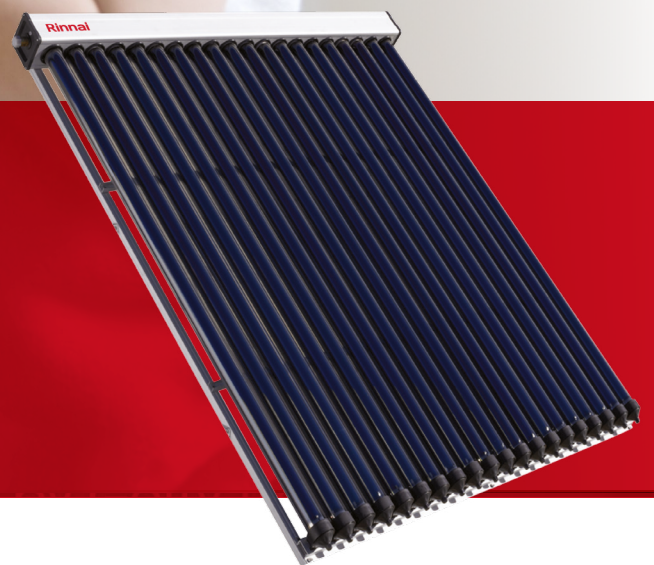


**Rinnai**



# Evacuated Tube

Solar Systems

# Evacuated Tubes

Reduce your hot water energy bills with a Rinnai evacuated tube solar system.



## Features and Benefits

-  **Warranty**  
15 years Evacuated Tube Collector
-  **Efficient**  
High efficiency Evacuated Tubes to absorb the maximum available solar energy.
-  **Safeguarded**  
Frost protection to withstand temperatures as low as -12°C.
-  **Convenient**  
Light weight roof mounted components for ease of installation.
-  **Quality**  
Available with a stainless steel or vitreous enamel lined carbon steel tank.
-  **Design**  
Ground level tank reduces the aesthetic impact of adding a system to your roof.
-  **Choice**  
Option of a continuous flow in line gas booster or an electric boost in the tank.
-  **Environment**  
Environmentally friendly.

## Boosters

**In line gas boosters**  
Same technology as the famous Rinnai INFINITY which heats the water only when required and will never run out of hot water.



**Electric boosters**  
Heat the volume of water in the storage tank above the element. The heating element is positioned in the tank to maximise the performance without compromising on the deliverable capacity.



## Evacuated Tube Solar Systems

An evacuated tube solar water heater is a 'split system' where the storage tank is ground mounted and the evacuated tubes are installed separately on the roof.

Solar energy is collected by the roof mounted tubes. Heated water is transferred through the header above the tubes to the storage tank by an innovative control system. Operating only when sufficient solar energy is available.

Whether you're looking for a high quality system or something more affordable we have the products to suit your needs.

## Products

### Rinnai Prestige

- High quality stainless steel tank
- A range from 250 litres to 315 litres
- Tanks are manufactured in Australia
- Comprehensive 10 year cylinder warranty

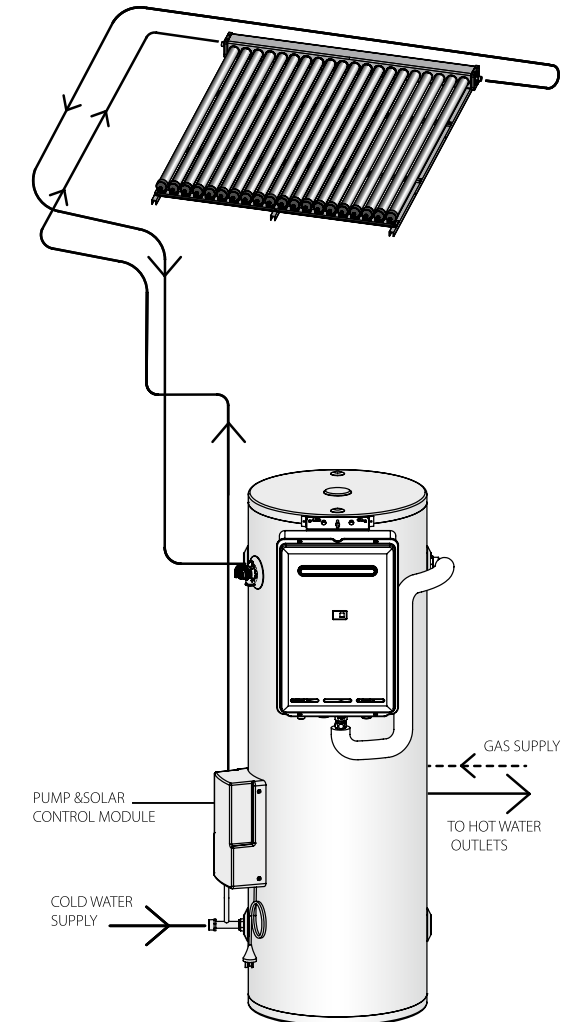
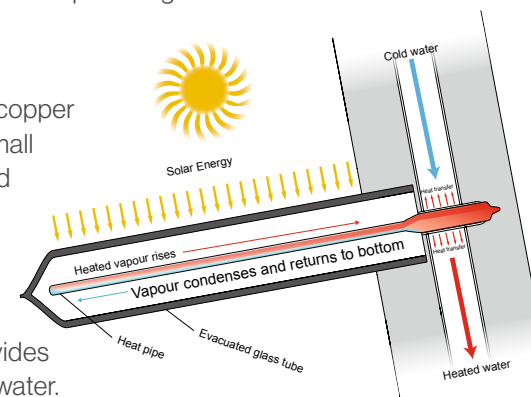
### Rinnai Sunmaster

- High quality vitreous enamel lined steel tank
- A range from 175 litres to 320 litres
- A sacrificial anode for added protection
- Slimline tank design with small footprint
- Tanks are manufactured in Australia
- Comprehensive 10 year cylinder warranty

## Tubes - Principles of Operation

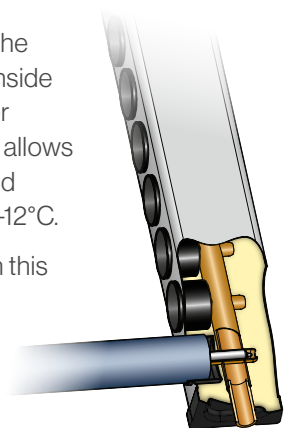
The tubes are manufactured in borosilicate glass with an inner glass tube providing a vacuum for heat retention.

The heat pipe is manufactured in copper and contains a small amount of purified water that turns to steam at approximately 30°C generating the heat that provides consumable hot water.



The energy the tubes collect is transferred to the consumable hot water inside the well insulated header assembly. This principle allows the collector to withstand temperatures as low as -12°C.

The added advantage in this design is the ability to replace tubes without disrupting water supply.



\*Please note: In accordance with our policy of continuous improvement, Rinnai Australia reserves the right to make modifications, change specifications or discontinue models at any time without notice, however, we will endeavour to communicate major changes before implementation. Dimensions are subject to production tolerances and may vary slightly from those given. For full definitions of domestic and commercial use along with the full warranty conditions and exclusions, please refer to the owners manual. The images reproduced in this brochure are for illustrative purposes only, are not to scale and may vary in colour to those of the represented product

\*For full terms & conditions visit [www.rinnai.com.au](http://www.rinnai.com.au)

# System Selection

Description	System	Tank Size	Booster	N° of Tubes	Boost Capacity	STC Zones <sup>(1)</sup>				
						1	2	3	4	
Rinnai Sunmaster										
Split System Gas	50	175L	S20	20	20L/min	26	29	25	22	
	51	175L	S26	20	26L/min	26	29	25	22	
	52	175L	S20	25	20L/min	29	32	29	26	
	53	175L	S26	25	26L/min	29	32	29	26	
	54	215L	S20	25	20L/min	30	32	30	26	
	55	215L	S26	25	26L/min	30	32	30	26	
	56	270L	S26	25	26L/min	29	31	29	26	
	61	270L	S26	30	26L/min	38	42	36	32	
Split System Electric	64	320L	S26	30	26L/min	38	42	36	32	
	57M	250L	3.6kW	25	150	30	32	30	27	
	57B	250L	3.6kW	25	250L	28	29	27	23	
	58M	315L	3.6kW	25	170	30	32	30	26	
	58B	315L	3.6kW	25	315L	28	28	26	23	
Split System Gas	59M	315L	3.6kW	30	170	38	42	36	32	
	Rinnai Prestige									
	Split System Gas	N	250L	S20	25	20L/min	34	39	32	28
		P	250L	S26	25	26L/min	34	39	32	28
R		315L	S26	25	26L/min	31	32	30	27	
S		315L	S26	30	26L/min	38	42	37	32	
Split System Electric	TM	250L	3.6 kW	25	165L	31	32	30	26	
	VM	315L	3.6 kW	25	185L	30	32	29	25	
	WM	315L	3.6 kW	30	185L	32	33	32	29	

<sup>(1)</sup> STC's are subject to change. See [www.cleanenergyregulator.gov.au](http://www.cleanenergyregulator.gov.au) for conditions and qualifications.  
For more information on warranty conditions and exclusions download our booklet from [www.rinnai.com.au](http://www.rinnai.com.au)

With our policy of continuous improvement, we reserve the right to change, or discontinue at any time, specifications or designs without notice.  
Note: All images contained within this brochure are for illustrative purposes only, the colours and finishes of the products featured are as close to the respective product range as photographic lighting and printing processes allow.

## Rinnai Australia Pty Ltd

ABN 74 005 138 769

100 Atlantic Drive,  
Keysborough, Victoria 3173

For further information  
call 1300 555 545 or visit  
[rinnai.com.au](http://rinnai.com.au)

### TOTAL HOME COMFORT



HOT WATER



HEATING



COOLING

# Rinnai