



PG36 shown with premium flush front, slim line stainless fascia and reflective side inserts (shown without mandatory dress guard).

Designed to suit your décor, with a selection of surrounds and finishing touches, there are multiple ways to customise the look and feel of your Panorama fire. Perfect for cosy living areas, the Panorama offers a beautiful flame and controllable heat.

STANDARD FEATURES

- Direct vent room sealed technology
- Natural gas
- Beautiful fire with glowing logs, fire grate and platinum infused glowing embers
- Ceramic glass with high quality dress guard
- 6 stage flame adjustment
- Electronic ignition
- 3-speed fan
- Nominal maximum gas consumption :
33 MJ NG /31 MJ Propane
- Heat output : 6.8 kW

OPTIONS

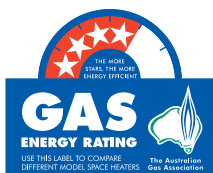
- Black louvres
- Premium black flush front
- 3 sided finishing trim in black
- 3 or 4 sided slim line fascia in black or brushed steel
- Reflective stainless steel side inserts
- Ember upgrade package
- FireGenie® remote control
- Vertical or horizontal venting
- AstroCap™ horizontal venting system
- LPG conversion kit



FireGenie® remote control

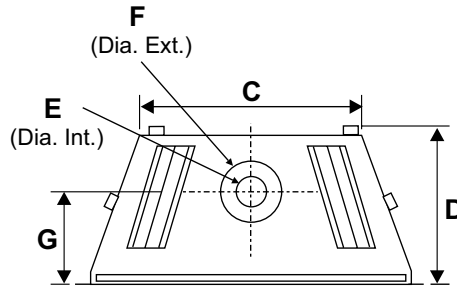
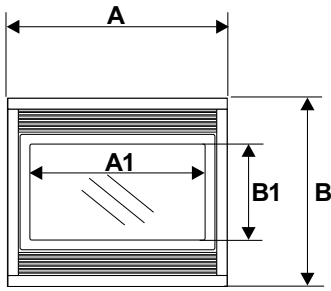


AstroCap™ horizontal venting system
(279mm X 279mm X 165mm)



Shown with NG. Star rating will depend on flue configuration

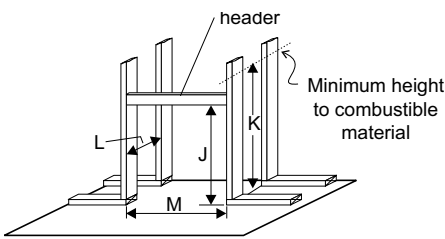
SPECIFICATIONS (mm)



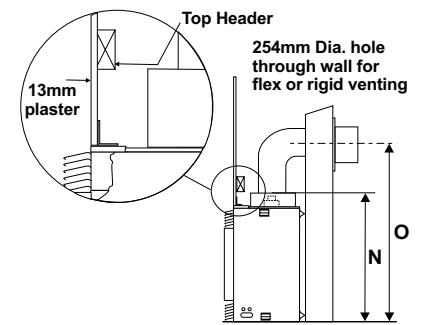
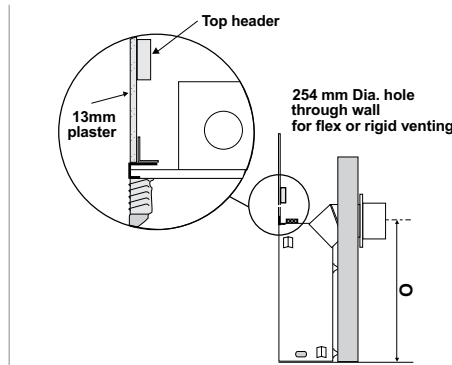
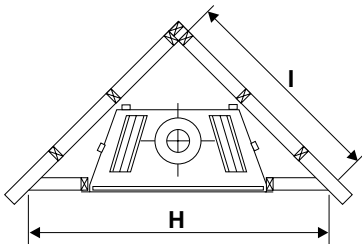
Dimensions	PG36
A	914
A1	741
B	775
B1	394
C	838
D	324
E	102
F	175
G	184

Framing

FRAMING - FRONT VIEW



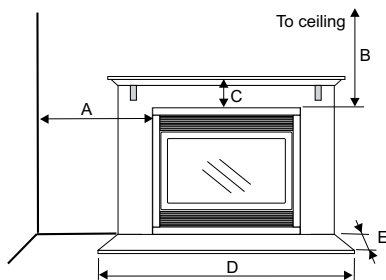
FRAMING - TOP VIEW



Framing (horizontal termination)	Minimum termination centre line							
	H	I	J	K	L	M	N	O
PG36	1524	1078	921	1126	324	921	914	1029
PG36 (premium flush front)	1524	1078	946	1182	432	944	914	1029

NOTE: Framing dimensions are a guide only. Always check current installation manual before commencing construction. For vertical termination or vertical rise with horizontal termination please refer to manual.

Clearances



Clearances	PG36
A	152
B	813
C	178
D	0
E	0



for your nearest dealer visit:
regency-fire.com.au
 or call 1800 081 978

These are guidelines only, subject to change without notice. Always refer to the actual product manual that comes with your unit for specific, current dimensions and clearances.

Your Regency Dealer

Fireplace Products Australia Pty Ltd.
 1 Conquest Way,
 Hallam VIC 3803
 Australia
 Phone: 1 800 081 978
 Email: sales@regency-fire.com.au

Distributor WA
 Air Group Australia
 28 Division St.
 Welshpool WA 6106
 Australia
 Phone: 08 9350 2200

Distributor NZ
 Aber Holdings Ltd
 17 Mainstreet Place,
 PO Box 10095, Te Rapa
 Hamilton 3241
 New Zealand
 Phone: 64 7849 7585